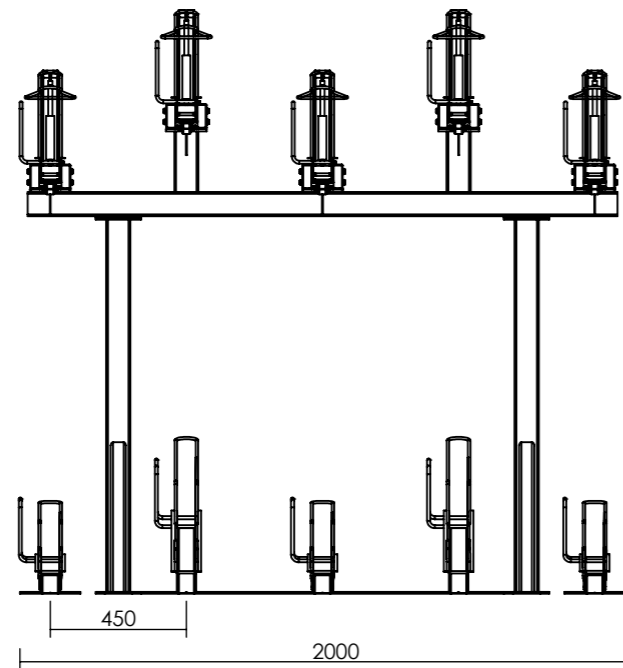
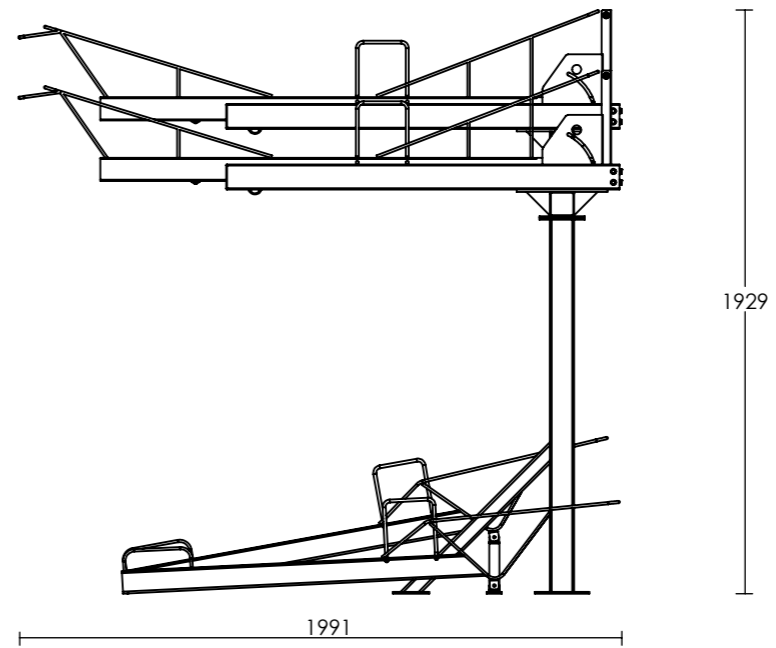


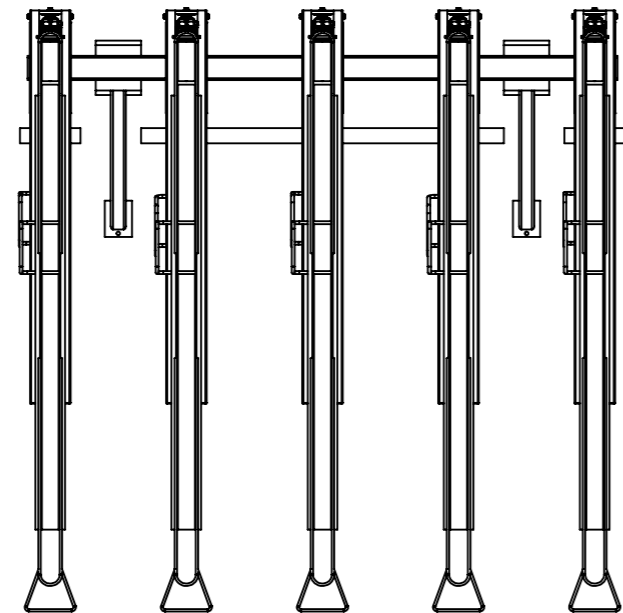
Front View



Side View



Top View



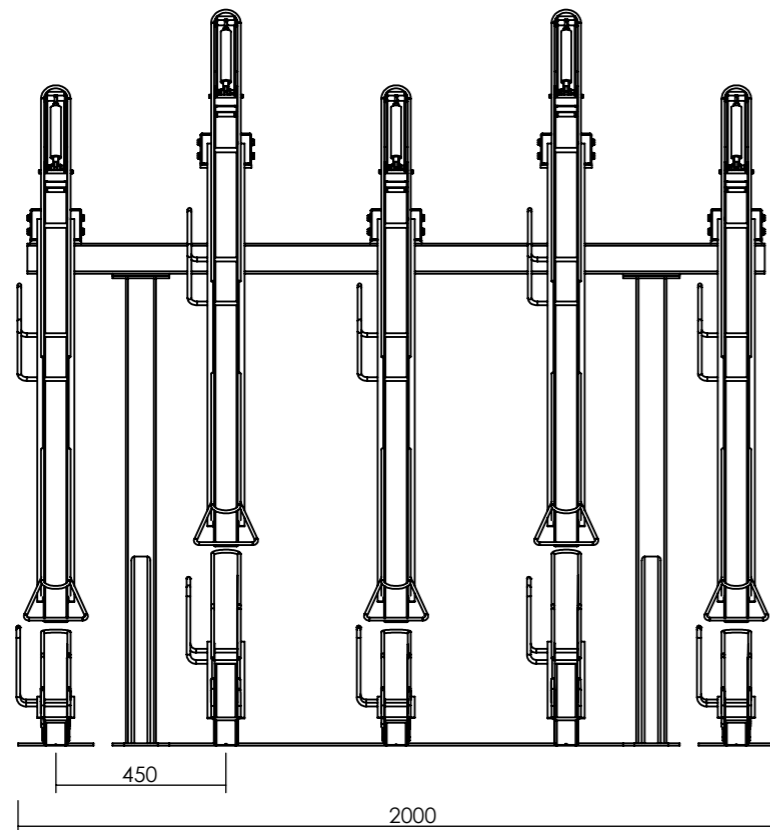
MATERIAL DESCRIPTION: VARIOUS				WEIGHT: kg	
FINISH: POWDER COATED / GALVANIZED		SW FILE: CBR10GS ASSM			
SCALE: 1:50 AT A3		ANGULAR TOLERANCES			
LINEAL TOLERANCES		THIRD ANGLE PROJECTION			
1.0 to 250 ± 0.2	250 to 500 ± 0.5	500 to 1000 ± 1.0	1000 to 5000 ± 2.5	± 0.5°	



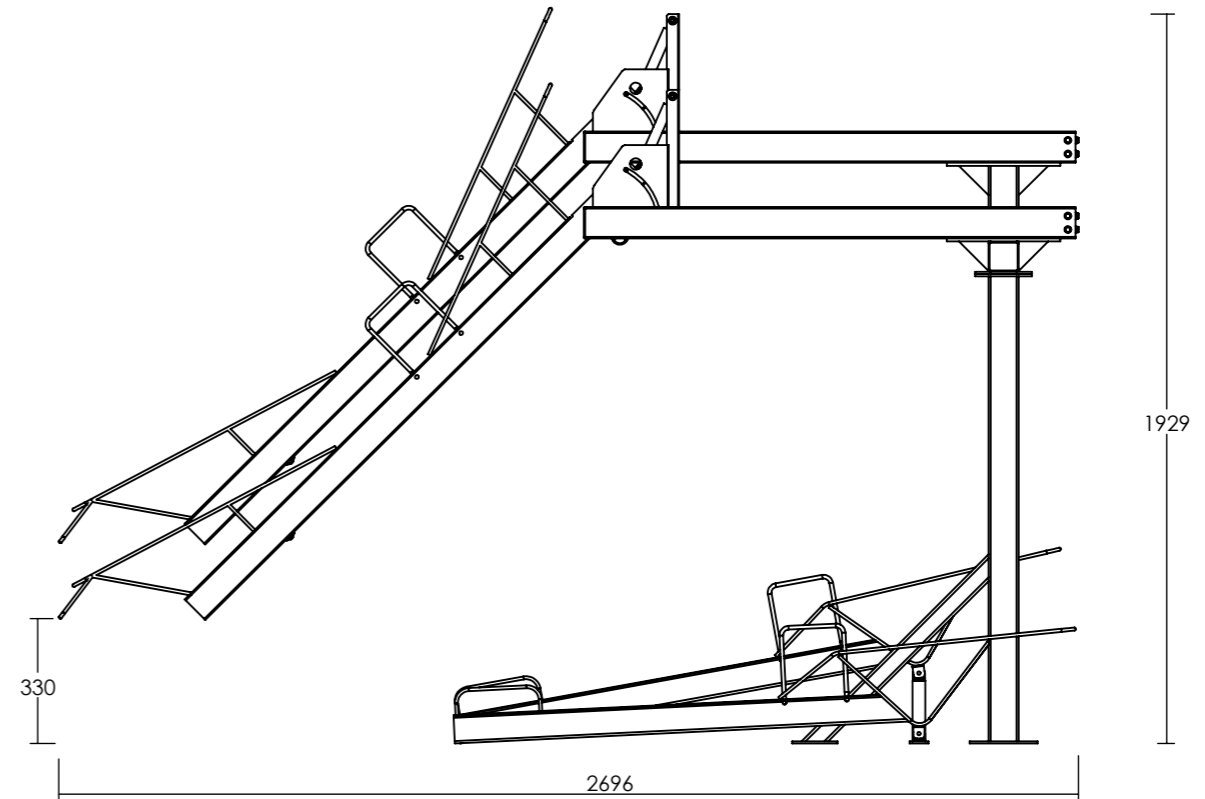
HEAD OFFICE: 18 Reliance Drive, Tuggerah NSW 2258
 Phone +61 2 4353 3377 - Fax +61 2 4353 2255 - Email lvsales@l-v.com.au
 © COPYRIGHT 2011 - ALL INTELLECTUAL PROPERTY RIGHTS RESERVED


ISSUED FOR: -		DRAWN BY: HUI CHEN	
JOB No. -		APPROVED BY: -	
MODEL DESCRIPTION: CBR10GS ASSM VIEW A		EFFECTIVE DATE: -	
ITEM: LS80795	INDEX: -	REV: D1	DRAWING DATE: 2015/9/23
		SHEET: 1 OF 2	

Front View



Side View



MATERIAL DESCRIPTION: VARIOUS				
FINISH: POWDER COATED / GALVANIZED			WEIGHT: kg	
SCALE: 1:50 AT A3		SW FILE: CBR10GS ASSM		
LINEAL TOLERANCES		ANGULAR TOLERANCES		
1.0 to 250 ± 0.2	250 to 500 ± 0.5	500 to 1000 ± 1.0	1000 to 5000 ± 2.5	± 0.5°
 THIRD ANGLE PROJECTION				



HEAD OFFICE: 18 Reliance Drive, Tuggerah NSW 2258
 Phone +61 2 4353 3377 - Fax +61 2 4353 2255 - Email lvsales@l-v.com.au
 © COPYRIGHT 2011 - ALL INTELLECTUAL PROPERTY RIGHTS RESERVED

ISSUED FOR: -		DRAWN BY: HUI CHEN	
JOB No. -		APPROVED BY: -	
MODEL DESCRIPTION: CBR10GS ASSM VIEW B		EFFECTIVE DATE: -	
ITEM: LS80795	INDEX: -	REV: D1	DRAWING DATE: 2015/9/23
		SHEET: 2 OF 2	