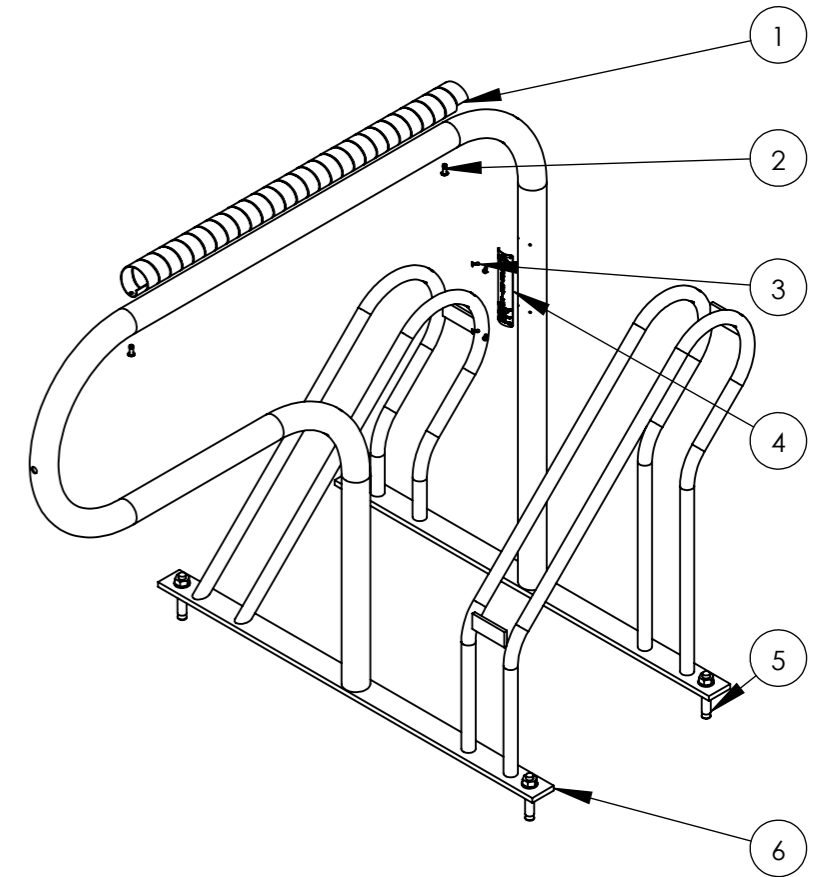
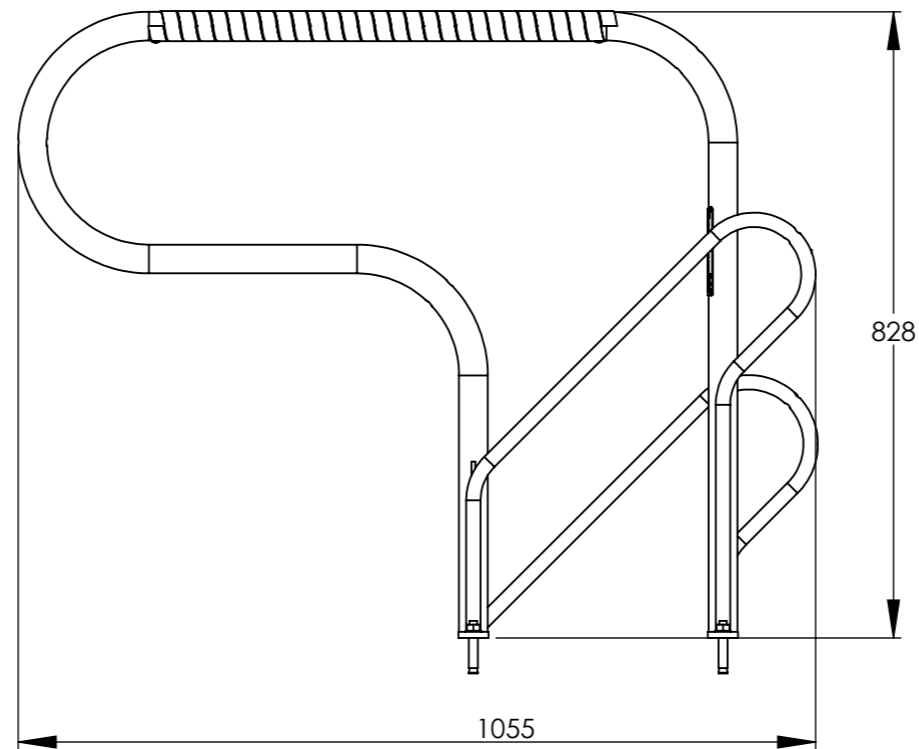
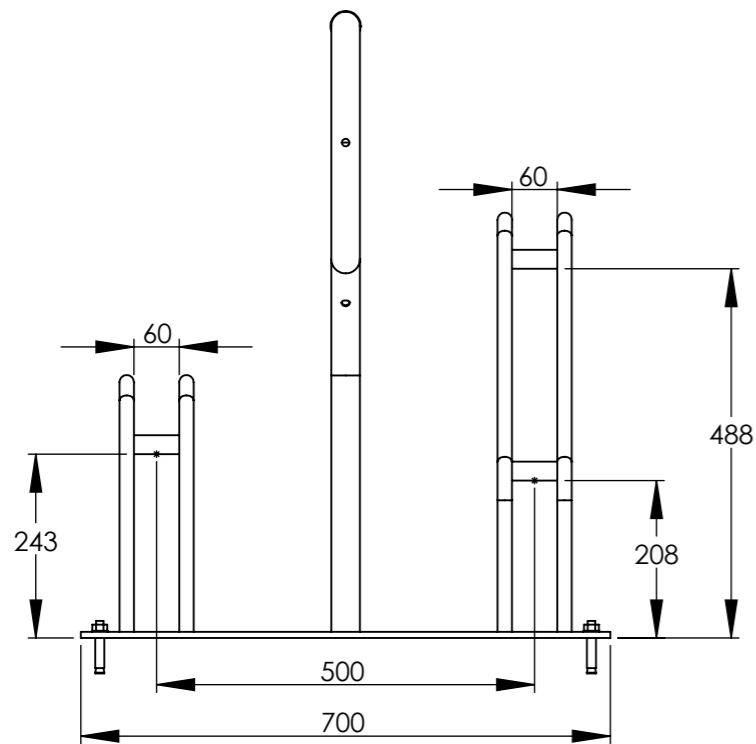
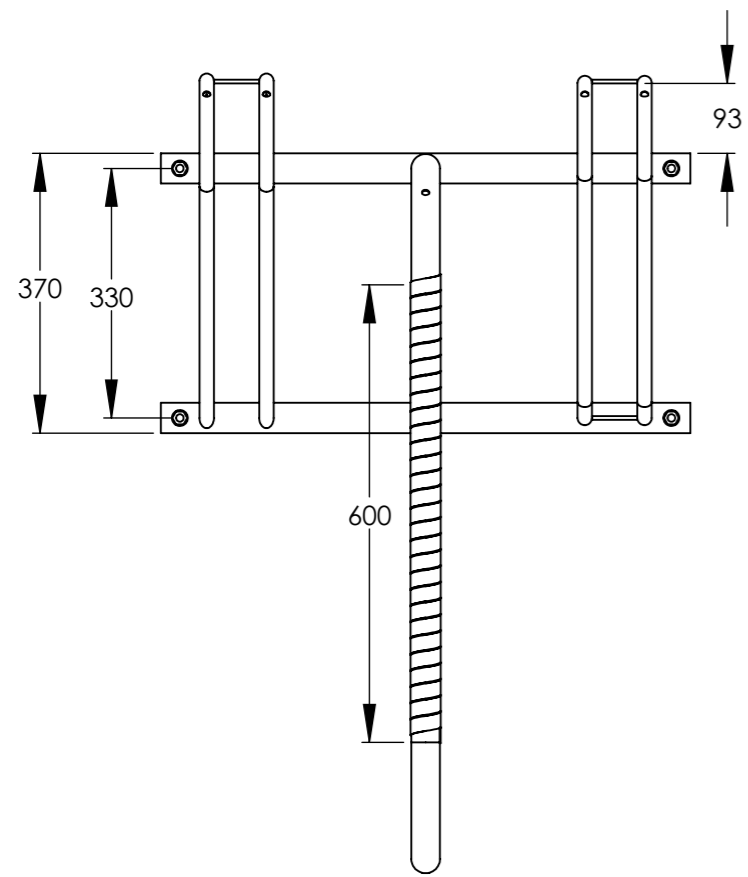


BILL OF MATERIALS					
ITEM NO.	INDEX	QTY.	ITEM	DESCRIPTION	
1	-	1	LS28121	PVC Ø38 SPIRAL PIPE	
2	-	2	LS28286	SS304 RIVET 4.8*10	
3	-	4	LS28285	Aluminium RIVET Ø2.4*6mm	
4	-	1	LS28134	Aluminium sheet Secura bike aluminium label(bending)	
5	-	4	LS28044	DYNABOLT 12mm (M10) x 60mm ZP (DP12060) NOMINAL HOLE DEPTH -50mm	
6	-	1	LS80970	MS CBR2SCTM-FULLY WELDMENT(500)	



MATERIAL DESCRIPTION:				
-				
FINISH:			WEIGHT: kg	
-			-	
SCALE: 1:10 AT A3		SW FILE: LS80969-CBR2SCTM-FULLY ASSM		
LINEAL TOLERANCES		ANGULAR TOLERANCES		
1.0 to 250	250 to 500	500 to 1000	1000 to 5000	± 0.5°
± 0.2	± 0.5	± 1.0	± 2.5	
THIRD ANGLE PROJECTION				



HEAD OFFICE: 18 Reliance Drive, Tuggerah NSW 2258
 Phone +61 2 4353 3377 - Fax +61 2 4353 2255 - Email lvsales@l-v.com.au
 © COPYRIGHT 2015 - ALL INTELLECTUAL PROPERTY RIGHTS RESERVED

ISSUED FOR: -		DRAWN BY: LIBO	
JOB No.:	CLIENT/SITE:	APPROVED BY: -	
-	-		
MODEL DESCRIPTION:			
CBR2SCTM-FULLY ASSM(500)			
ITEM: LS80969	REV: D1 INDEX: -	DRAWING DATE: 2017/6/8	SHEET: 1 OF 1