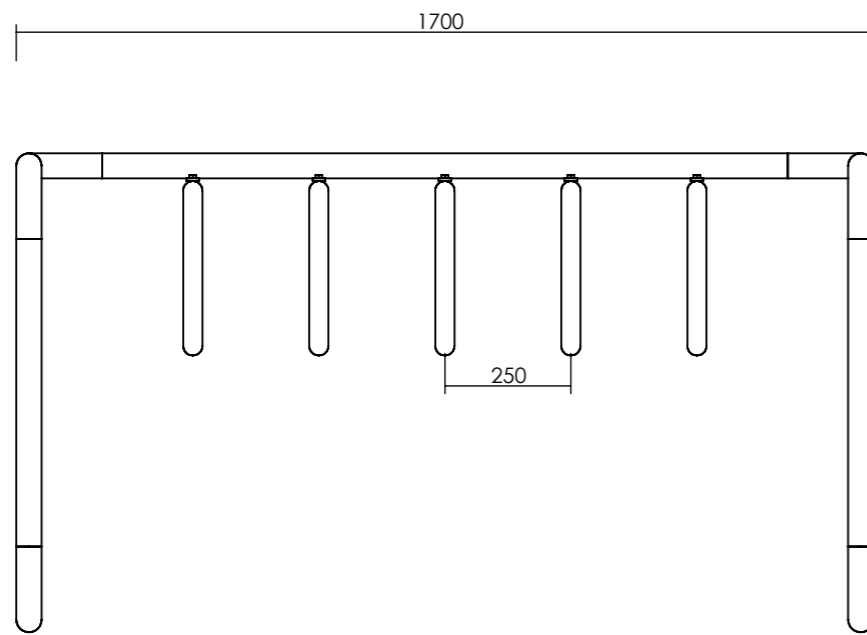
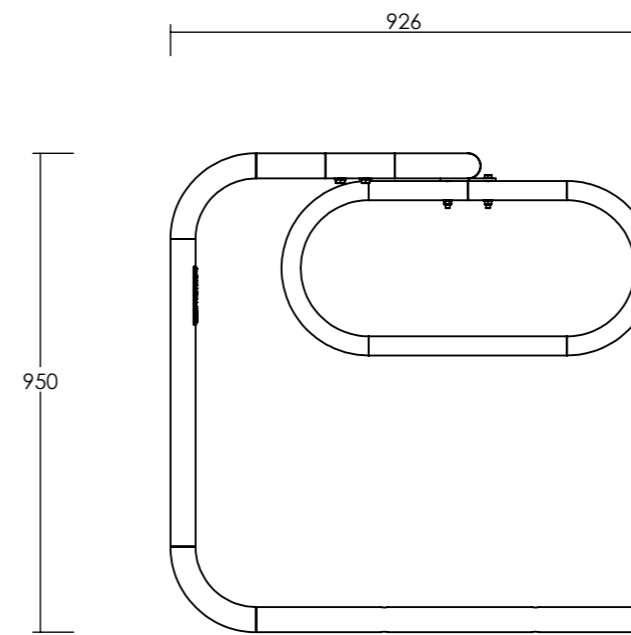


Front View



Side View



| | | | | | |
|-----------------------------------|---------------------|-----------------------------------|-----------------------|------------|--|
| MATERIAL DESCRIPTION: VARIOUS | | | | WEIGHT: kg | |
| FINISH: GALVANIZED / POWDERCOATED | | SW FILE: CBR178-Isometric Drawing | | | |
| SCALE: 1:20 AT A3 | | ANGULAR TOLERANCES | | | |
| LINEAL TOLERANCES | | THIRD ANGLE PROJECTION | | | |
| 1.0 to 250 ± 0.2 | 250 to 500 ± 0.5 | 500 to 1000 ± 1.0 | 1000 to 5000 ± 2.5 | ± 0.5° | |



HEAD OFFICE: 18 Reliance Drive, Tuggerah NSW 2258
 Phone +61 2 4353 3377 - Fax +61 2 4353 2255 - Email lvsales@l-v.com.au
 © COPYRIGHT 2015 - ALL INTELLECTUAL PROPERTY RIGHTS RESERVED

| | | | |
|-----------------------------------|------------------|--------------------------|---------------|
| ISSUED FOR: MANUFACTURE | | DRAWN BY: HUI CHEN | |
| JOB No. - | CLIENT/SITE: - | APPROVED BY: - | |
| MODEL DESCRIPTION: CBR178 ASSM | | | |
| ITEM: LS84922 | REV: D2 INDEX: - | DRAWING DATE: 2017/12/20 | SHEET: 1 OF 1 |